
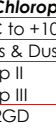
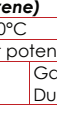
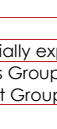
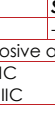
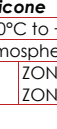
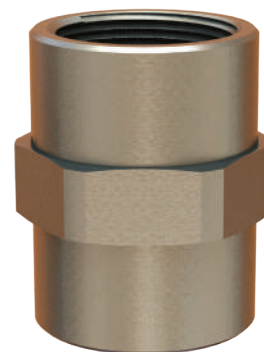
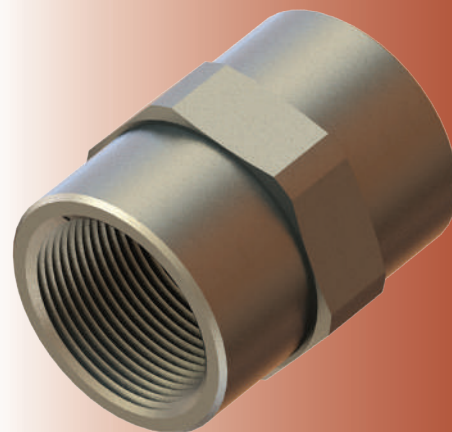


Couplers for Ex d/e Applications

Technical Details		
Material	Body	Brass, Brass Bickel Plated, Stainless Steel 316L
Ingress Protection Rating	IP 68 - 5 Bar, 30 min IP 66	
Operating Temperature	Seal Material	
	CR (Chloroprene)	Silicone
Ex d/e/tb	-40°C to +100°C -60°C to +130°C	
Equipment For	• Gas & Dust potentially explosive atmospheres.	
Suitable for use in	Group II	Gas Group IIC
	Group III	Dust Group IIIC
Equipment Marking	ZONE1/ZONE2	
	ZONE21/ZONE 22	
Marking Example	Ex II 2GD Ex db IIC Gb Ex eb IIC Gb Ex tb IIIC Db	
Type Protection	BMD B-RM.. CE 0722  II 2GD Ex e IIC Gb Ex tb IIIC Db Ta-40°C +100°C IP66/68 CESI 13 ATEX 066X IECEx CES 13.0022X	
Thread Type	Ex db ; Ex eb ; Ex tb	
Approvals	Certificate Number	Standards
	CESI 13 ATEX 066X	EN 60079-0:2012+A11:2013 EN 60079-1:2014 EN 60079-7:2015 EN 60079-31:2014
	IECEx CES 13.0022X	IEC 60079-0:2011 Edition:6 IEC 60079-1:2014 Edition:7 IEC 60079-31:2013 Edition:2 IEC 60079-7:2015 Edition:5
	№ TC RU C-TR.AA87.B.00941	ГОСТ 31610.0-2014 ГОСТ IEC 60079-1:2013 ГОСТ IEC 60079-31:2013
	DNV 12.0150 X	ABNT NBR IEC 60079-0:2008, ABNT NBR IEC 60079-1:2009, ABNT NBR IEC 60079-7:2008, ABNT NBR IEC 60079-31:2011
	E-14044	IEC/EN60079-0, IEC/EN60079-7, IEC/EN60079-31, IEC/EN60079-1 & IEC/EN 62444

* For more information see our webpage.

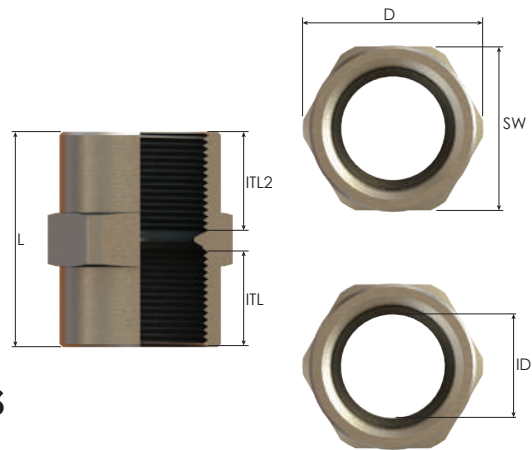
** The standard marking consists ATEX & IECEx only. Marking acc. to other standards on request.



Order Coding	Material
Part Number	Mandatory
See table	B Brass BN Brass Nickel plated X Stainless steel 316L
Example	
B-RM5M4M	BN

ARIES

Couplers for Ex d/e Applications

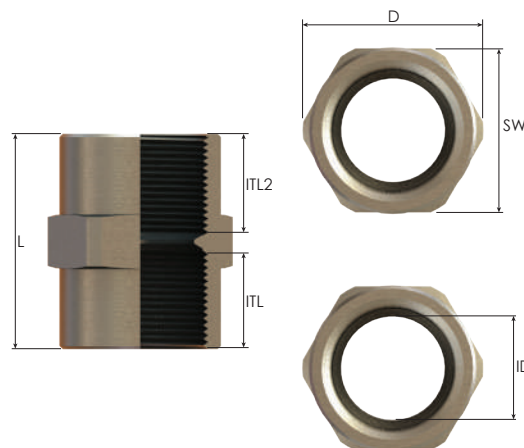


Thread Type **METRIC** > **METRIC** acc. to ISO 965-3

Inner Thread Size (Female)	Inner Thread Size 2 (Female)	Inner Thread Length	Inner Thread Length 2	Spanner Width	Outer Ø	Inner Ø	Total Height	Part Number
		ITL mm	ITL2 mm					
M16x1,5	M16x1,5	15,0	15,0	20	22,0	13,5	33,0	B-RM01M01M
M20x1,5	M16x1,5	15,0	15,0	25	27,5	13,5	32,0	B-RM1M01M
	M20x1,5	15,0	15,0	25	27,5	17,0	32,0	B-RM1M1M
M25x1,5	M16x1,5	15,0	15,0	32	35,0	13,5	35,0	B-RM2M01M
	M20x1,5	15,0	15,0	32	35,0	17,0	33,0	B-RM2M1M
	M25x1,5	15,0	15,0	32	35,0	22,0	33,0	B-RM2M2M
M32x1,5	M20x1,5	15,0	15,0	36	39,5	17,0	36,0	B-RM3M1M
	M25x1,5	15,0	15,0	36	39,5	22,0	34,0	B-RM3M2M
	M32x1,5	15,0	15,0	36	39,5	29,0	32,0	B-RM3M3M
M40x1,5	M25x1,5	18,0	15,0	45	50,0	22,0	40,0	B-RM4M2M
	M32x1,5	18,0	15,0	45	50,0	29,0	37,0	B-RM4M3M
	M40x1,5	18,0	18,0	45	50,0	37,0	38,0	B-RM4M4M
M50x1,5	M32x1,5	18,0	15,0	55	61,0	29,0	41,0	B-RM5M3M
	M40x1,5	18,0	18,0	55	61,0	37,0	40,0	B-RM5M4M
	M50x1,5	18,0	18,0	55	61,0	47,0	38,0	B-RM5M5M
M60x1,5	M40x1,5	18,0	18,0	68	75,0	36,0	45,0	B-RM6M4M
	M50x1,5	18,0	18,0	68	75,0	47,0	41,0	B-RM6M5M
	M60x1,5	18,0	18,0	68	75,0	55,0	40,0	B-RM6M6M
M63x1,5	M50x1,5	18,0	18,0	68	75,0	47,0	41,0	B-RM6M5M
	M60x1,5	18,0	18,0	68	75,0	55,0	40,0	B-RM6M6M
	M63x1,5	18,0	18,0	68	75,0	60,0	38,0	B-RM6M6M
M75x1,5	M63x1,5	18,0	18,0	80	88,5	60,0	41,0	B-RM7M6M
	M70x1,5	18,0	18,0	80	88,5	65,0	41,0	B-RM7M7M
	M75x1,5	18,0	18,0	80	88,5	72,0	38,0	B-RM7M7M
M80x1,5	M70x1,5	18,0	18,0	90	100,0	65,0	43,0	B-RM8M7M
	M75x1,5	18,0	18,0	90	100,0	72,0	40,0	B-RM8M7M
	M80x1,5	18,0	18,0	90	100,0	75,0	40,0	B-RM8M8M
M85x1,5	M75x1,5	18,0	18,0	95	105,0	72,0	41,0	B-RM8M7M
	M80x1,5	18,0	18,0	95	105,0	75,0	41,0	B-RM8M8M
	M85x1,5	18,0	18,0	95	105,0	80,0	40,0	B-RM8M8M
M90x1,5	M80x1,5	21,0	18,0	95	105,0	75,0	46,0	B-RM8M8M
	M85x1,5	21,0	18,0	95	105,0	80,0	44,0	B-RM8M8M
	M90x1,5	21,0	21,0	95	105,0	87,0	44,0	B-RM8M8M
M100x1,5	M85x1,5	21,0	18,0	110	123,0	80,0	48,0	B-RM9M8M
	M90x1,5	21,0	21,0	110	123,0	87,0	48,0	B-RM9M8M
	M100x1,5	21,0	21,0	110	123,0	95,0	46,0	B-RM9M9M
M110x1,5	M90x1,5	21,0	21,0	120	133,5	87,0	51,0	B-RM10M8M
	M100x1,5	21,0	21,0	120	133,5	95,0	50,0	B-RM10M9M
	M110x1,5	21,0	21,0	120	133,5	107,0	44,0	B-RM10M10M

ARIES

Couplers for Ex d/e Applications

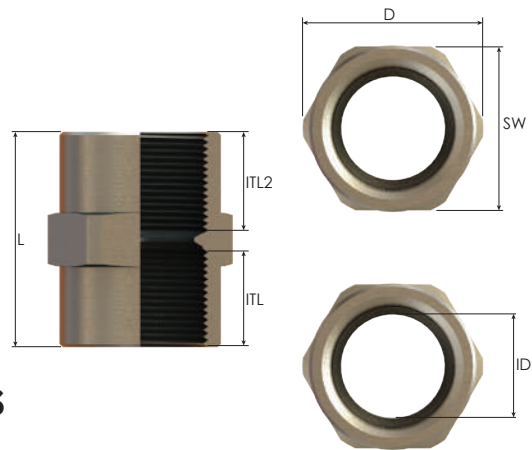


Thread Type **NPT > NPT** acc. to ANSI ASME B1.20.1

Inner Thread Size (Female)	Inner Thread Size 2 (Female)	Inner Thread Length	Inner Thread Length 2	Spanner Width	Outer Ø	Inner Ø	Total Height	Part Number
		ITL mm	ITL2 mm	SW mm	D mm	ID mm	L mm	
NPT 3/8"	NPT 3/8"	15,0	15,0	20	22,0	12,5	32,0	B-RM01N01N
NPT 1/2"	NPT 3/8"	15,0	15,0	25	27,5	12,5	33,0	B-RM1N01N
	NPT 1/2"	15,0	15,0	25	27,5	16,0	32,0	B-RM1N1N
NPT 3/4"	NPT 3/8"	15,0	15,0	32	35,0	12,5	35,0	B-RM2N01N
	NPT 1/2"	15,0	15,0	32	35,0	16,0	33,0	B-RM2N1N
	NPT 3/4"	15,0	15,0	32	35,0	21,0	32,0	B-RM2N2N
NPT 1"	NPT 1/2"	15,0	15,0	36	39,5	16,0	36,0	B-RM3N1N
	NPT 3/4"	15,0	15,0	36	39,5	21,0	34,0	B-RM3N2N
	NPT 1"	15,0	15,0	36	39,5	27,0	32,0	B-RM3N3N
NPT 1 1/4"	NPT 3/4"	18,0	15,0	45	50,0	21,0	40,0	B-RM4N2N
	NPT 1"	18,0	15,0	45	50,0	27,0	38,0	B-RM4N3N
	NPT 1 1/4"	18,0	18,0	45	50,0	35,0	39,0	B-RM4N4N
NPT 1 1/2"	NPT 1"	18,0	15,0	55	61,0	27,0	40,0	B-RM5N3N
	NPT 1 1/4"	18,0	18,0	55	61,0	35,0	41,0	B-RM5N4N
	NPT 1 1/2"	18,0	18,0	55	61,0	41,5	39,0	B-RM5N5N
NPT 2"	NPT 1 1/4"	18,0	18,0	65	72,0	35,0	45,0	B-RM6N4N
	NPT 1 1/2"	18,0	18,0	65	72,0	41,5	43,0	B-RM6N5N
	NPT 2"	18,0	18,0	65	72,0	53,5	39,0	B-RM6N6N
NPT 2 1/2"	NPT 1 1/2"	28,0	18,0	80	88,5	41,5	56,0	B-RM7N5N
	NPT 2"	28,0	18,0	80	88,5	53,5	53,0	B-RM7N6N
	NPT 2 1/2"	28,0	28,0	80	88,5	64,0	60,0	B-RM7N7N
NPT 3"	NPT 2"	28,0	18,0	95	105,0	53,5	58,0	B-RM8N6N
	NPT 2 1/2"	28,0	28,0	95	105,0	64,0	64,0	B-RM8N7N
	NPT 3"	28,0	28,0	95	105,0	80,0	59,0	B-RM8N8N
NPT 3 1/2"	NPT 2 1/2"	28,0	28,0	110	123,0	64,0	69,0	B-RM9N7N
	NPT 3"	28,0	28,0	110	123,0	80,0	64,0	B-RM9N8N
	NPT 3 1/2"	28,0	28,0	110	123,0	90,0	62,0	B-RM9N9N
NPT 4"	NPT 3"	28,0	28,0	120	133,5	80,0	62,0	B-RM10N8N
	NPT 3 1/2"	28,0	28,0	120	133,5	90,0	65,0	B-RM10N9N
	NPT 4"	28,0	28,0	120	133,5	105,0	59,0	B-RM10N10N

ARIES

Couplers for Ex d/e Applications



Thread Type **NPT** acc. to ANSI ASME B1.20.1 > **METRIC** acc. to ISO 965-3

Inner Thread Size (Female)	Inner Thread Size 2 (Female)	Inner Thread Length	Inner Thread Length 2	Spanner Width	Outer Ø	Inner Ø	Total Height	Part Number
		ITL mm	ITL2 mm		SW mm	D mm		
NPT 3/8"	M16x1,5	15,0	15,0	20	22,0	12,5	32,0	B-RM01N01M
NPT 1/2"	M16x1,5	15,0	15,0	25	27,5	14,0	33,0	B-RM1N01M
	M20x1,5	15,0	15,0	25	27,5	16,0	32,0	B-RM1N1M
NPT 3/4"	M16x1,5	15,0	15,0	32	35,0	12,5	35,0	B-RM2N01M
	M20x1,5	15,0	15,0	32	35,0	16,0	34,0	B-RM2N1M
	M25x1,5	15,0	15,0	32	35,0	21,0	33,0	B-RM2N2M
NPT 1"	M20x1,5	15,0	15,0	36	39,5	16,0	36,0	B-RM3N1M
	M25x1,5	15,0	15,0	36	39,5	21,0	34,0	B-RM3N2M
	M32x1,5	15,0	15,0	36	39,5	27,0	33,0	B-RM3N3M
NPT 1 1/4"	M25x1,5	18,0	15,0	45	50,0	21,0	40,0	B-RM4N2M
	M32x1,5	18,0	15,0	45	50,0	27,0	38,0	B-RM4N3M
	M40x1,5	18,0	18,0	45	50,0	36,0	39,0	B-RM4N4M
NPT 1 1/2"	M32x1,5	18,0	15,0	55	61,0	27,0	41,0	B-RM5N3M
	M40x1,5	18,0	18,0	55	61,0	36,0	41,0	B-RM5N4M
	M50x1,5	18,0	18,0	55	61,0	41,5	40,0	B-RM5N5M
NPT 2"	M50x1,5	18,0	18,0	65	72,0	47,0	41,0	B-RM6N5M
	M60x1,5	18,0	18,0	65	72,0	53,5	41,0	B-RM6N60M
	M63x1,5	18,0	18,0	20	72,0	53,5	41,0	B-RM6N6M
NPT 2 1/2"	M63x1,5	28,0	18,0	80	88,5	58,0	51,0	B-RM7N6M
	M70x1,5	28,0	18,0	80	88,5	63,0	52,0	B-RM7N70M
	M75x1,5	28,0	18,0	80	88,5	63,0	52,0	B-RM7N7M
NPT 3"	M80x1,5	28,0	18,0	95	105,0	75,0	51,0	B-RM8N80M
	M85x1,5	28,0	18,0	95	105,0	78,0	51,0	B-RM8N85M
	M90x1,5	28,0	21,0	95	105,0	79,0	55,0	B-RM8N8M
NPT 3 1/2"	M85x1,5	28,0	18,0	110	123,0	80,0	55,0	B-RM9N85M
	M90x1,5	28,0	21,0	110	123,0	84,0	56,0	B-RM9N8M
	M100x1,5	28,0	21,0	110	123,0	90,0	56,0	B-RM9N9M
NPT 4"	M90x1,5	28,0	21,0	120	133,5	85,0	60,0	B-RM10N8M
	M100x1,5	28,0	21,0	120	133,5	95,0	57,0	B-RM10N9M
	M110x1,5	28,0	21,0	120	133,5	103,0	55,0	B-RM10N10M